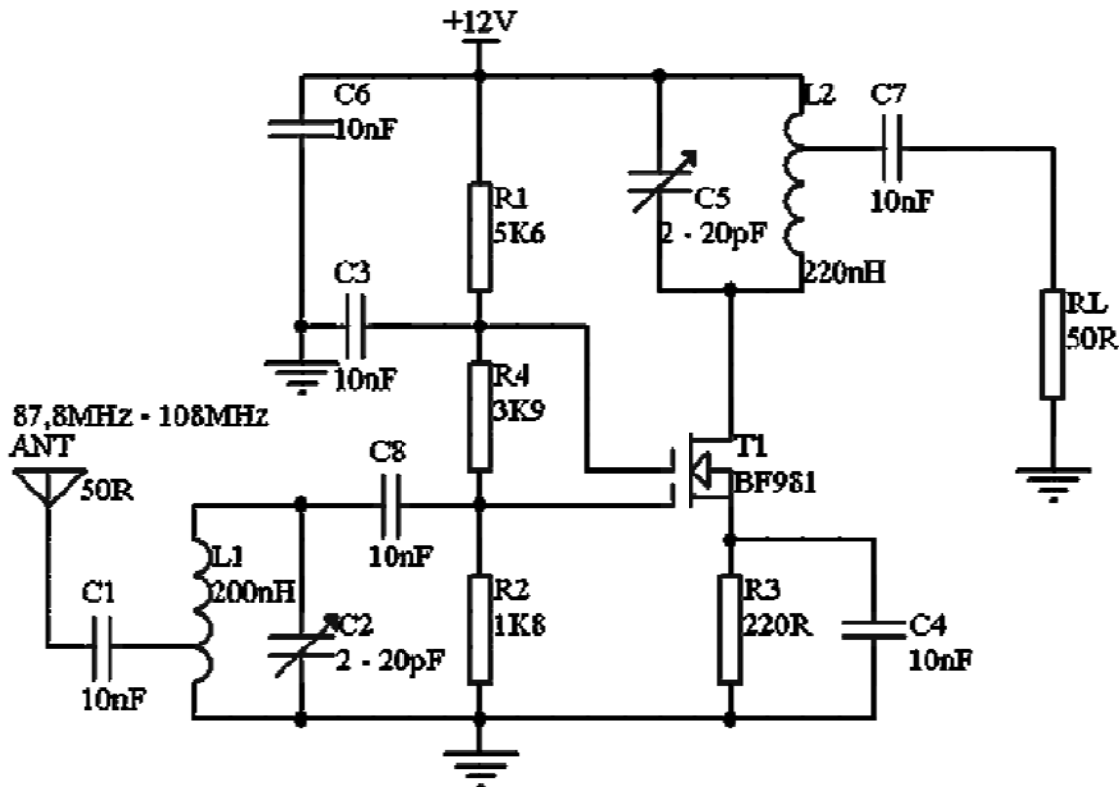


## RF amplifier circuit.

This is an example on a RF amplifier for the FM band, with a range from 88.7 MHz to 108 MHz.

The amplifiers can f. ex. uses in front of an existing FM radio with bad antenna system and if the antenna connection is long.



The antenna is connected at the left side, before C1 and the other connection is set to ground. The resistor RL is a representation of the input resistor for the following FM receiver.

The amplifier is connected to a voltage on 12 volt and uses about 10 mA.

11. juli 2012  
Benny Hastrup